

1300 766 318

azuratec.com.au

toroidtank

underground water storage



rainwater harvesting

stormwater detention

greywater recycling

The multi-award winning Toroid Tanks, also known as the 'Donut' and 'Bagel' for their distinctive shapes, are recognized as the market leader in underground installations.

Toroid Tanks allow you to harvest, store and utilize rainwater and recycled greywater with only a neat portal visible on the ground. Stored water can be used inside the home and around the garden with mains back-up.

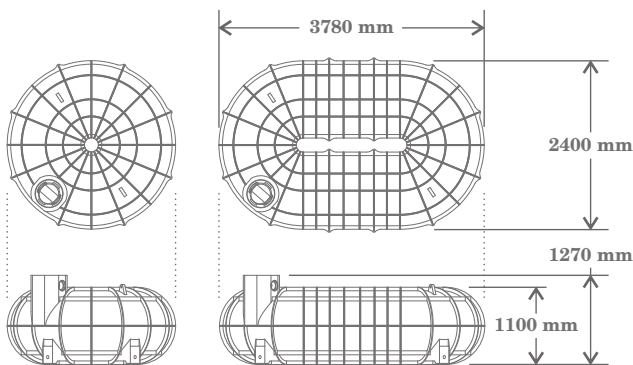
Ideal for both new and retro-fit applications, Toroid Tanks require only a shallow excavation and minimal ballast (if any), so no shoring is required to comply with work place safety regulations.

Features and Benefits

- self-cleaning in-line filtration
- child safety bars beneath lockable lid on portal
- hidden and don't take up valuable real estate
- shallow excavation - minimal 'angle of repose'
- compliant with relevant building regulations
- structural design - tanks can bare heavy loads
- ideal for the under driveways, lawns and paving

Technical

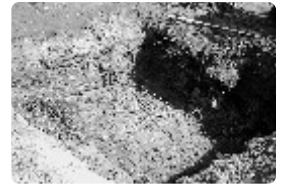
Toroid tanks are available in either a 3000 litre or 5000 litre size which can be connected together.



Installation

Step 1

A shallow excavation is made and the base is leveled with crushed rock to the appropriate level.



Step 2

The tank is lowered into position using the excavator via the integral lifting lugs or with slings.



Step 3

Crushed rock backfill is compacted around the tank and in the lower half of the tank centre.



Step 4

Ballast concrete is poured in the center of the tank which is now ready for the final landscaping.



Azuratec provide fast and simple residential water systems to suit modern building practices.

Our products include rainwater harvesting, stormwater detention and greywater recycling. We take responsibility for installation to ensure quality and save our customers from the usual hassle and delay.

We support our customers with professional design and engineering services to take the stress out of achieving regulatory compliance.

azuratec[™]
integrated water systems

P.O. Box 4520
Dandenong 5th VIC 3164
AUSTRALIA
ABN 74 111 541 925
P 1300 766 318
F 1300 654 866
W azuratec.com.au